

SPECIFICATIONS

Electrical Ratings	50mA @ 50VDC
Electrical Life	100,000 cycles typical
Contact Resistance	< 50 mΩ initial
Actuation Force	100 +/- 50gF 130 +/- 50gF 160 +/- 50gF 260 +/- 50gF
Actuator Travel	.25 +/- .1mm
Dielectric Strength	250Vrms min
Insulation Resistance	> 100MΩ min
Operating Temperature	-40°C to 85°C
Storage Temperature	-40°C to 85°C



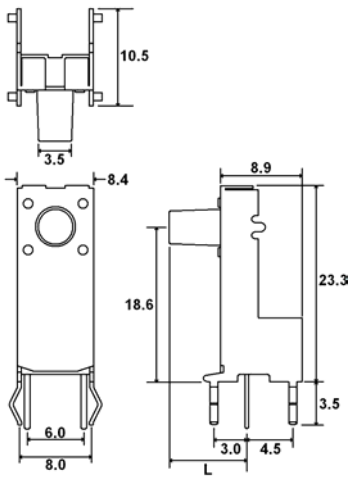
MATERIALS ←RoHS COMPLIANT

Actuator	6/6 Nylon
Housing	6/6 Nylon
Cover	Steel, Tin Plated
Contacts	Phosphor Bronze, Silver Plated
Terminals	Brass, Silver Plated

ORDERING INFORMATION

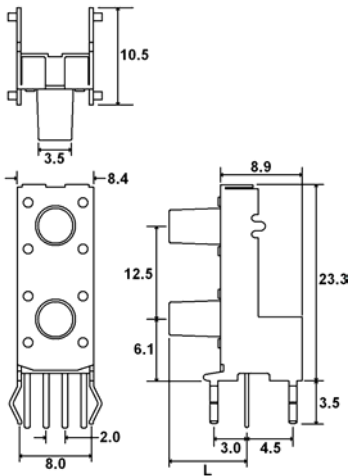
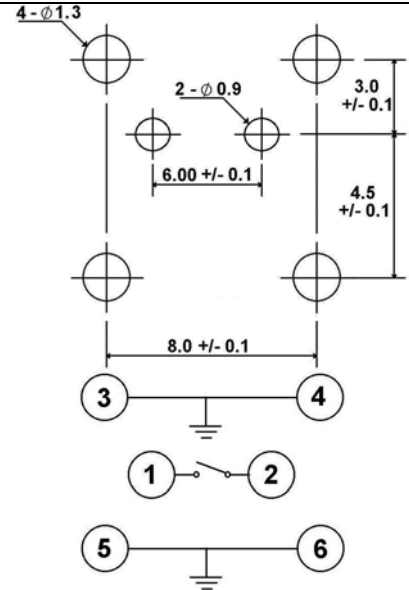
1. Series:	CT1102VS2	9.85	F260
	CT1102VS1		
	CT1102VS2		
2. Actuator Length "L" (mm):			
	3.15		
	3.85		
	4.00		
	5.85		
	6.85		
	8.35 ** Only available for CT1102VS1		
3. Actuation Force:			
	F100 = 100gF		
	F130 = 130gF		
	F160 = 160gF		
	F260 = 260gF		

DIMENSIONS



Part Number	"L" (mm)
CT1102VS18.35	8.35

SCHEMATIC & PC LAYOUT



Part Number	"L" (mm)
CT1102VS23.15	3.15
CT1102VS23.85	3.85
CT1102VS25.85	5.85
CT1102VS26.85	6.85
CT1102VS28.35	8.35

